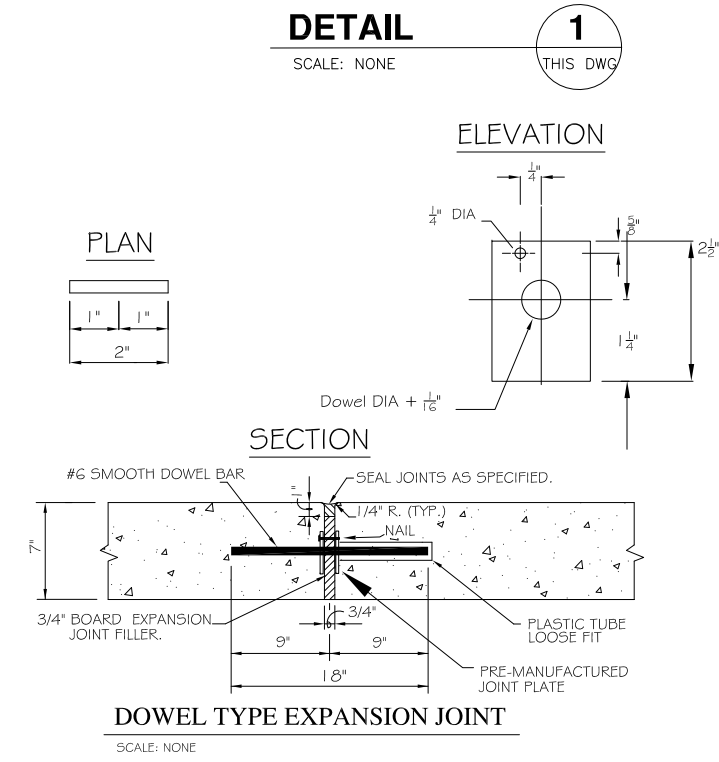
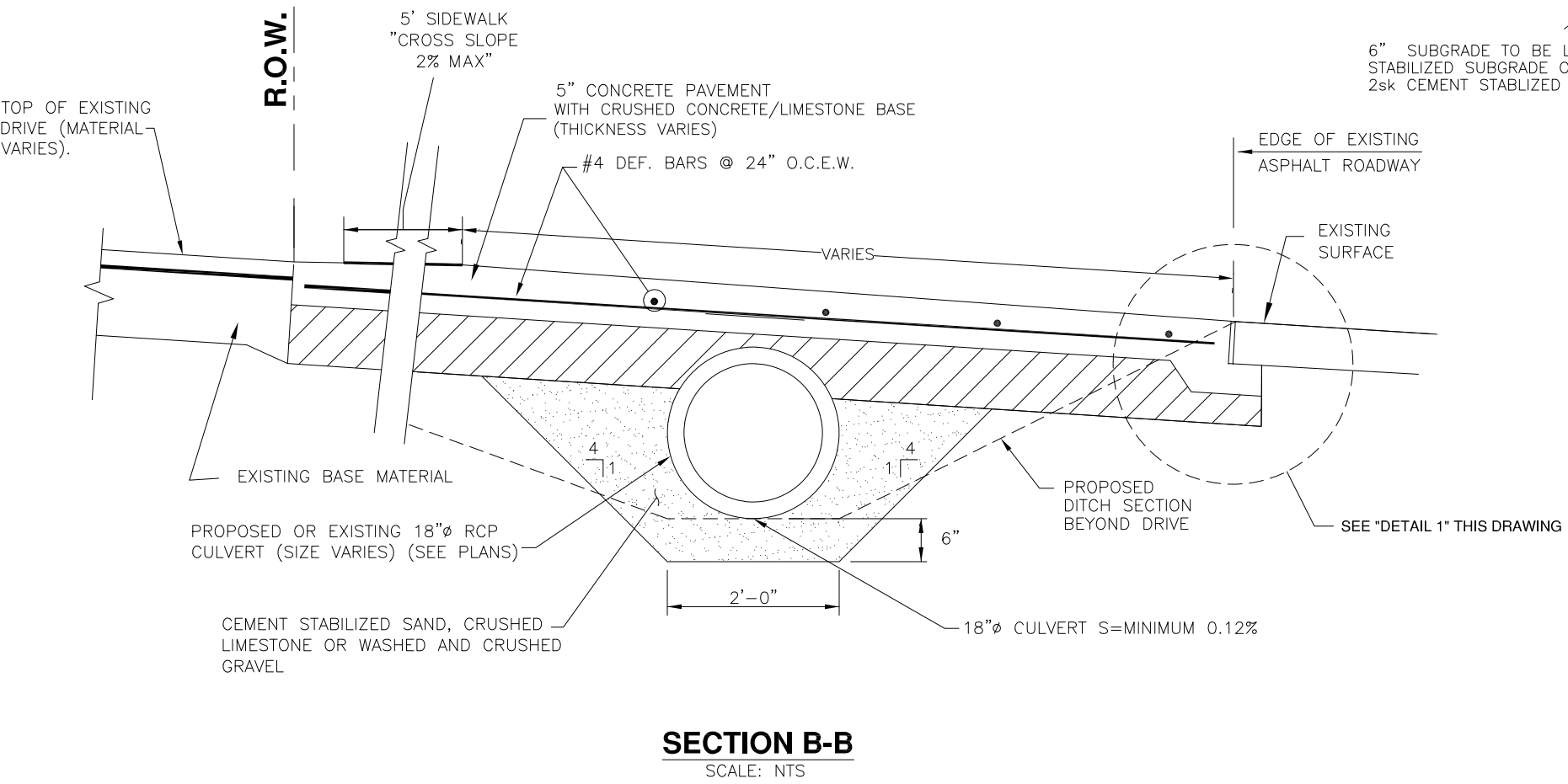
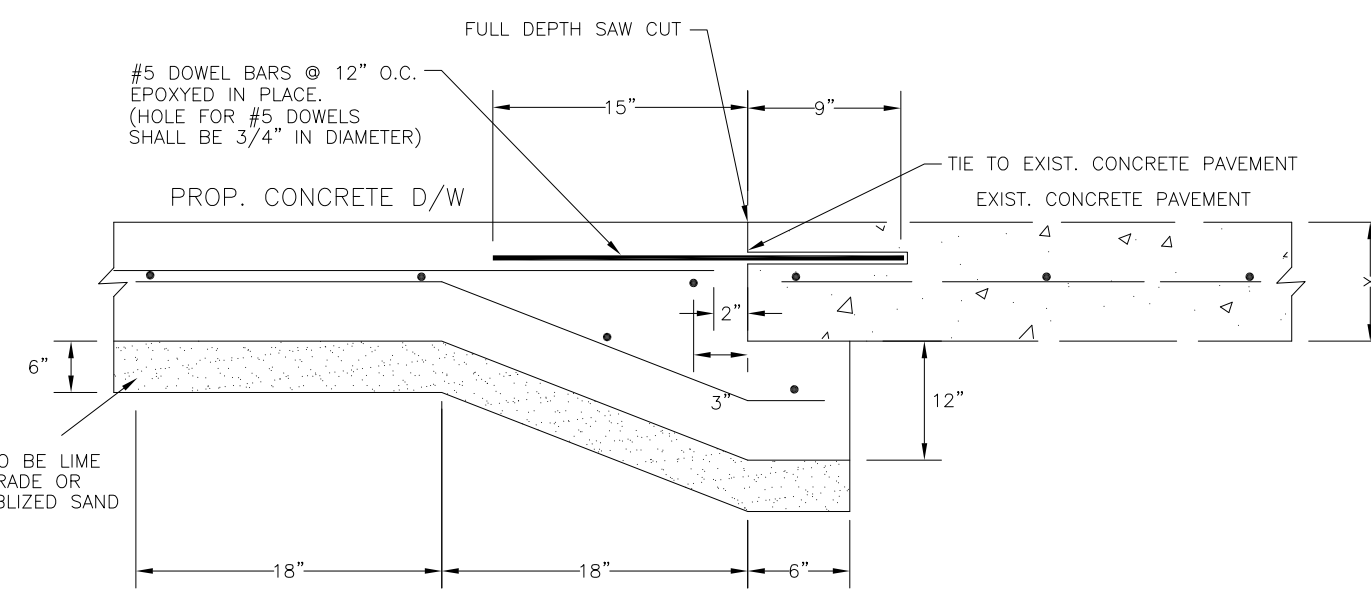
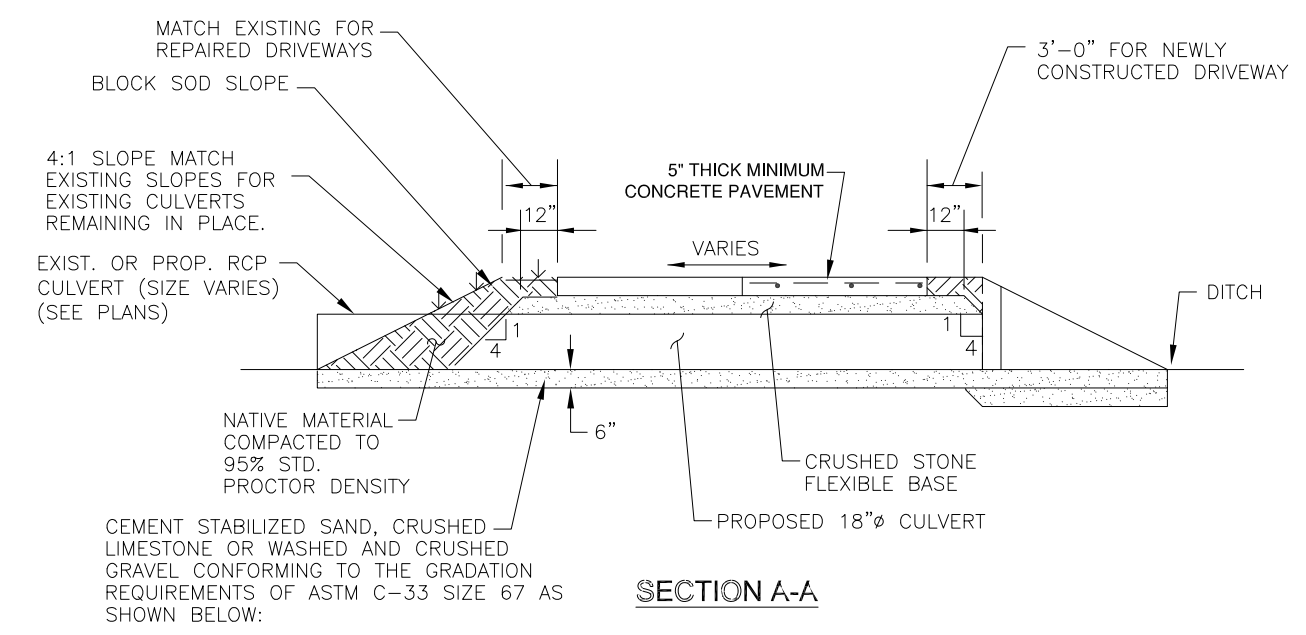
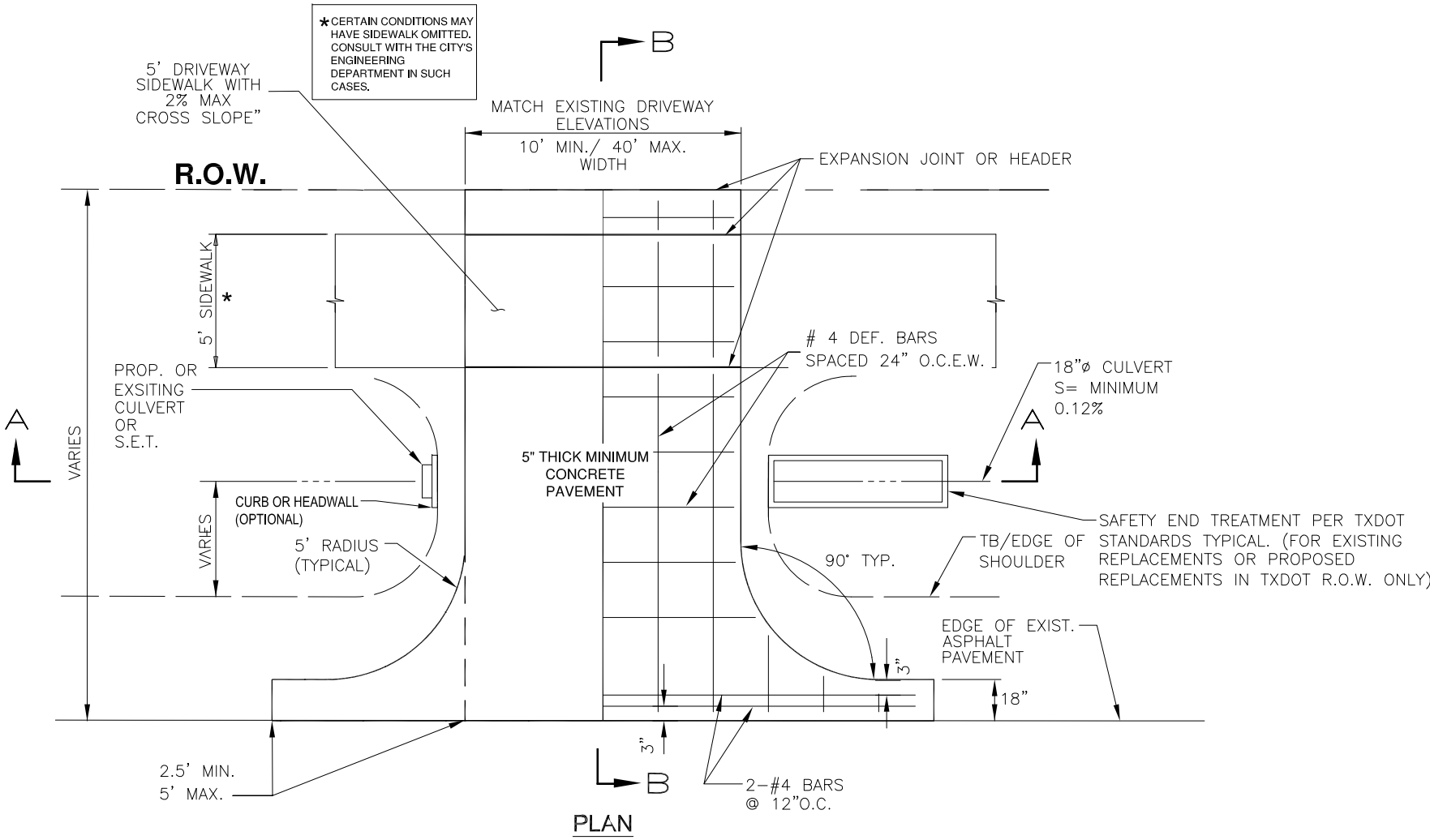


*CERTAIN CONDITIONS MAY HAVE SIDEWALK OMITTED. CONSULT WITH THE CITY'S ENGINEERING DEPARTMENT IN SUCH CASES.



CITY OF DEER PARK

CONNECT COMMERCIAL/RESIDENTIAL DRIVEWAY WITH CULVERT TO EXISTING PAVED STREET

Drawn By : DO	Date : JANUARY 2023		
Checked By : DJV	Scale : NONE		
No.	Revision	Date	Project No.:
1			
2			Drawing No.:
3			
4			Sheet 1 of 1
5			